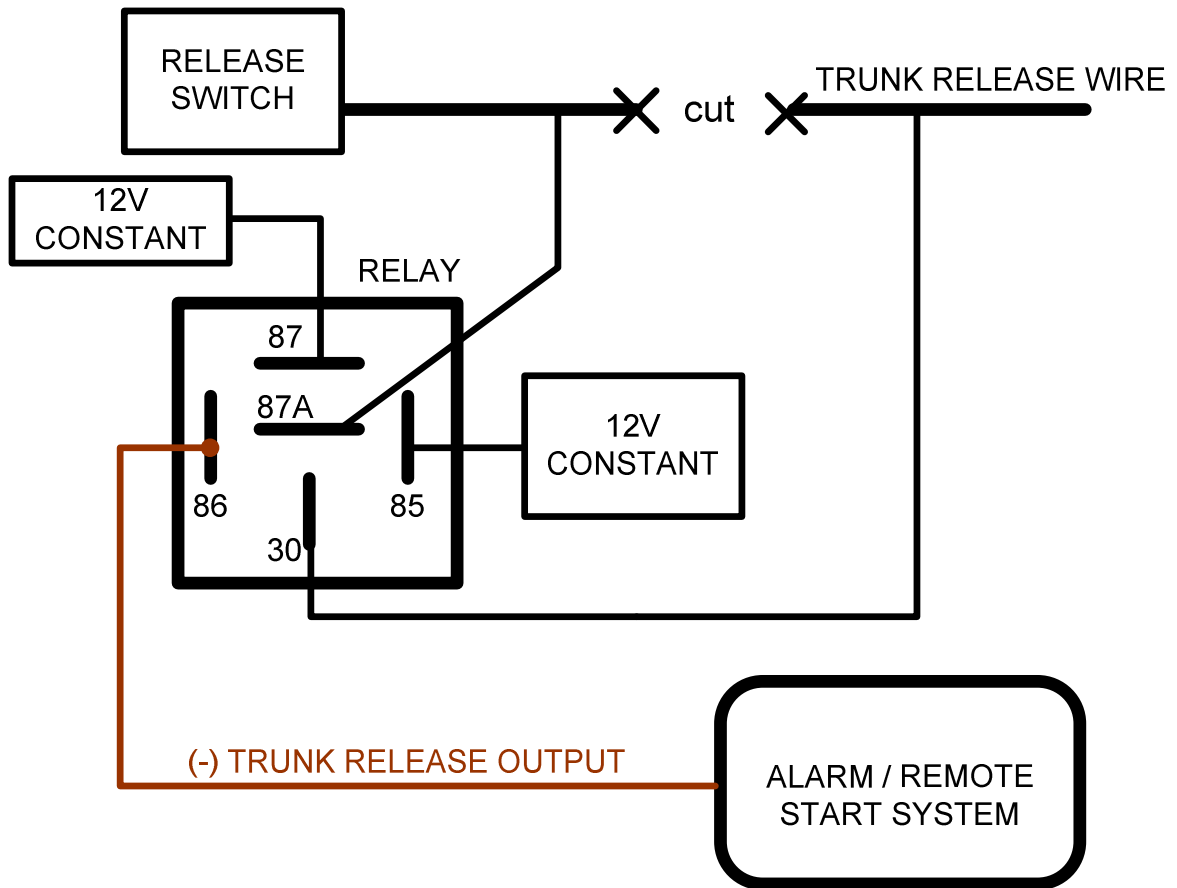


TRUNK RELEASE (5-WIRE)



PIN	CONNECTION
85	TO 12V CONSTANT
86	TO (-) DOME LIGHT OUTPUT FROM ALARM/REMOTE START SYSTEM
87	TO 12V CONSTANT
87A	TO TRUNK RELEASE WIRE – SWITCH SIDE
30	TO TRUNK RELEASE WIRE – TRUNK SIDE

Remote starter and security installations should be attempted by experienced security installers only. Information contained is accurate to the best of our knowledge and experience. Information contained is without any representation of warranty. It is the installer's responsibility to test and confirm all circuits with a digital multi-meter. Proper installation remains the responsibility of the installer. CarInstallExperts.com assumes no liability or responsibility resulting from an improper installation, even in reliance with the information contained in this guide.